

OMEGA Vapour Barrier SK DUO

Weather-resistant 3-layer roof sheeting with vapour delaying effect for all insulation on battens. 2 two-way acrylate adhesive strips are integrated for adhesion at joints.

FIELDS OF APPLICATION

- for over-rafter insulation
- on the room side below the thermal insulation

ADVANTAGES

- lightweight
- tear-resistant
- rigid
- 100% recyclable
- resistant to ageing
- max. 2 months exposure to the elements

RECOMMENDED ACCESSORIES



OMEGA QUILLI



OMEGA Nail-Seal Tape



PE Nail-Seal Tape DSK



AIRSTOP Sealant SPRINT

AVAILABLE IN THE FOLLOWING DIMENSIONS

Roll width	1,5 m
Roll length	50 m
Roll area	75 m ²
Roll weight	10,5 kg

PRODUCT DATA ACCORDING TO STANDARD EN 13984

Material composition	3-layer PP fleece with two two-way acrylate adhesive strips
Thickness	0,75 mm (± 15 mm)
Colour	beige
Weight per unit area	140 g / m ² (± 12 g)
Sd - value	10 m (-4 / +8)
Temperature resistance	- 40 °C - + 80 °C (short-term 100°C)
UV - resistance	2 months
Resistance to water penetration EN 1928	W1
Elongation EN 12311-1	55 (-20/+40) % 65 (-20/+40) %
Tensile strength EN 12311-1	255 (-55/+95) N / 50 mm 190 (-30/+75) N / 50 mm
Tear propagation resistance EN 12310-1	195 (-40/+105) N 255 (-35/+70) N
Storage	cool and dry
Fire performance EN 13501-1/EN 11925-2	E

INFO :
+43 (0) 6216 / 4108
WWW.ISOCELL.COM

ISOCELL
VERDÄMMT BESSER

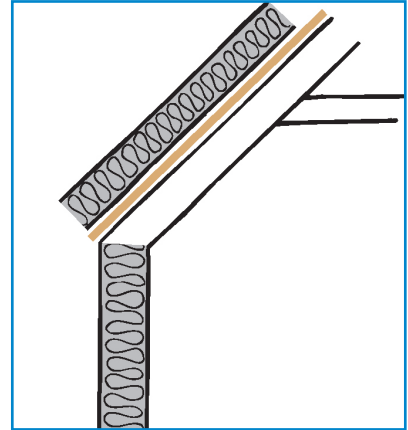
GUIDELINES FOR THE USE OF **OMEGA** VAPOUR BARRIER

APPLICATION

Installation: position on the sheathing with the printed side facing upwards (UV-resistant side). Attach to the wooden subframe using a tacker.

Overlaps and edge joints: min. 10 cm overlap — this is marked on the OMEGA Vapour Barrier with green dotted lines.

Using sufficient pressure press together the acrylate strip of one length and the appropriate two-way adhesive strip of the other length. AIRSTOP Sealant SPRINT or OMEGA QUILLI should be used for an airtight seal at joints.



INFO :
+43 (0) 6216 / 4108
WWW.ISOCELL.COM

ISOCELL
VERDÄMMT BESSER